

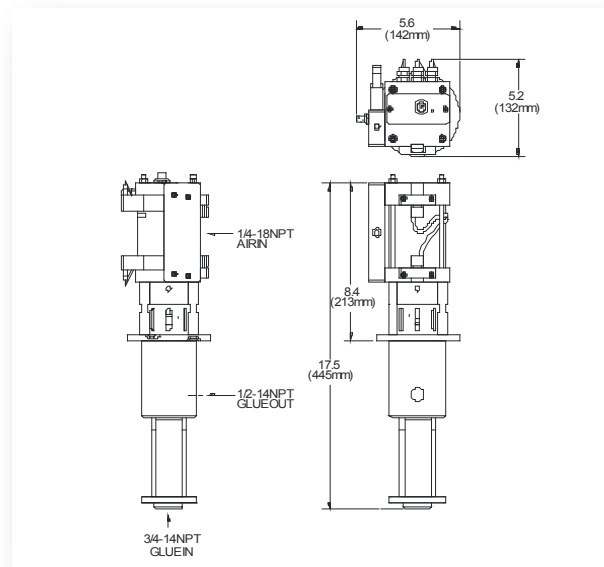
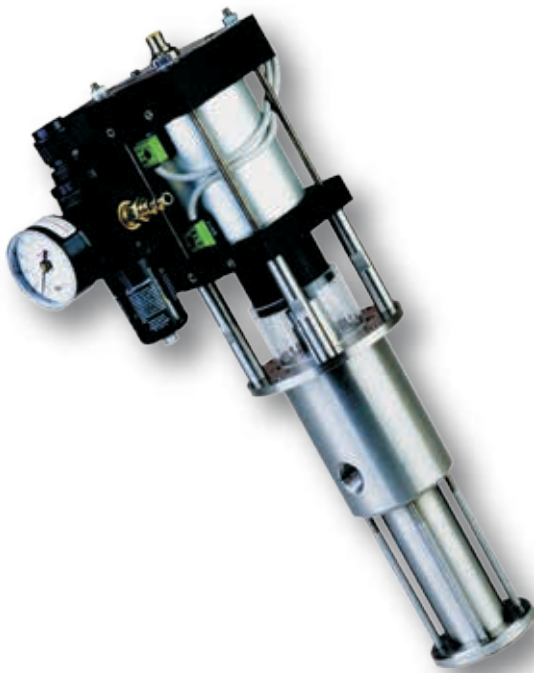


## EPP-6

### Electronically-controlled 6:1 Ratio Piston Pump

Valco Melton's EPP-6 Piston Pump is automatically reversed by low-voltage, solid-state electronics. The EPP-6 features an electronic reversing control that is extremely reliable and not affected by normal wear characteristics of mechanical devices. Because of its design, the pump cannot stall. When used with intermittent output applications, the pump will stop, then immediately restart as the system requires.

- Pressure limited versions for use with lower pressure pumping systems
- Can be cycled very slowly or operated at reduced air pressure without stalling or hanging up
- Compact, lightweight construction
- Optional drum cover, pail lid, and wall-mount kits
- Reliable, solid state electronic levering control



#### SIMPLE AND RELIABLE

Valco Melton's piston pumps are engineered to keep downtime at a minimum. The unique, solid-state reversing control is far more reliable and less complex than the air-motor-driven mechanisms common to other piston pumps.

#### LESS MAINTENANCE

Valco's innovative dry fluid-seal design lasts far longer between rebuilds than other piston pumps. Long-lasting seals man efficient, trouble-free operation and no need for seal lubrication. The pump can interface with other controls or data systems to provide automatic usage readout, metered outputs, and automatic control level.



For more information, visit [valcomelton.com](http://valcomelton.com) or contact your local Valco Melton representative.

World Headquarters: USA, Cincinnati, Ohio (Corporate Offices) • Tel:+1.513.874.6550 • Fax: +1.513.874.3612

Europe Headquarters: Spain, Navarra • Tel:+34.948.321.580 • Fax:+34.948.326.584

Asia Headquarters: China, Xiamen, Fujian • Tel:+86.592.591.7854 • Fax:+86.592.591.7834

info@valcomelton.com • Serving over 76 Countries Worldwide • valcomelton.com